



Diaphragm Pumps for Air, Gases and Vapours



Diaphragm Vacuum Pumps

with KNF Stabilization System,
adjustable Flow Rate

Technical features:

- 100% oil-free transfer
- Pure transferring and evacuation of gases
- KNF Stabilization system, allows high suction speed even in the low-vacuum range
- Version for slightly aggressive or corrosive gases and vapours
- Maintenance-free
- Environmentally friendly
- Gastight, leakage rate approx. 6×10^{-3} mbar x l/s, not tested in serial production.

Series N 920 _ _ .29.18 Pumps

Dry-compression (oil-free) diaphragm pumps of the N 920 series are popular in laboratories for a wide range of applications. They pump and evacuate without contaminating the medium.

The high-performance N 920 vacuum pumps are ideally suited for all applications that need high suction power yet low absolute pressures. A number of technical innovations, including a diaphragm stabilization system, enable strong suction performance, especially in the low vacuum range.

An integrated potentiometer makes it easy to select the desired pumping rate by selecting the appropriate speed, so the pump can adapt to the requirements of a particular process. An analog signal input for external control is available as an option.

Technical data:

	N 920 AP.29.18	N 920 KT.29.18
Delivery (l/min) ¹⁾	max. 21	max. 20
Ultimate vacuum (mbar abs.)	1.5	2.0
Operating pressure (bar g)	0.5	0.5
Connectors (mm)	for tube ID 9	for tube ID 10
Permissible gastemperature	+5...+40 °C	+5...+40 °C
Permissible ambient temp.	+10...+40 °C	+10...+40 °C
Mains (V/Hz)	100-240/50-60	100-240/50-60
Motor protection	IP 20	IP 20
Power P ₁	120 W	135 W
Operating current	1.3 A	1.4 A
Weight	10.5 kg	8.6 kg
Dimensions LxHxW (mm)	324/226/158	324/226/158
With thermal switch and protected against overcurrent.		

Motors with other voltages and frequencies on request.

¹⁾ at atm. pressure

Material in contact with the pumped media

Type/OrderNo.	Pump head	Diaphragm	Valves
N 920 AP.29.18	Aluminium	EPDM	EPDM
N 920 KT.29.18	PPS	PTFE-coated	FFPM

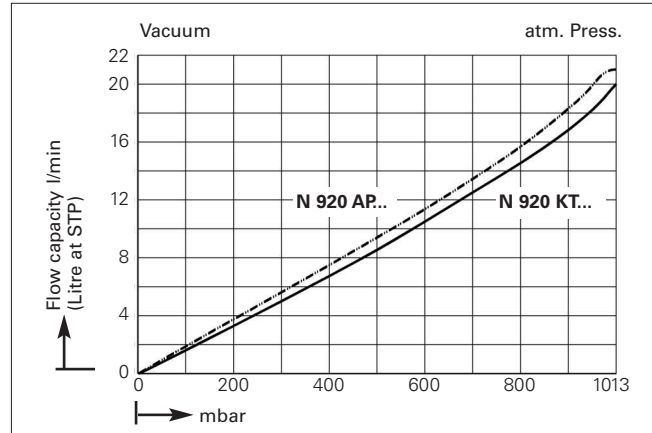
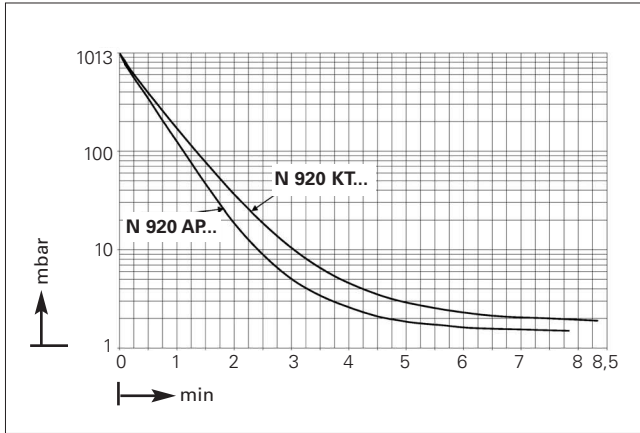
Accessories and spare parts

Description	Details	Order No.
Silencer/filter	G 1/8	007006
Small flange, stainless Steel	SF 16	046625
Adjustable delivery through speed regulation	over potentiometer or analog signal input	on request
Spares kit	for N 920 AP.29.18	057456
Spares kit	for N 920 KT.29.18	111905

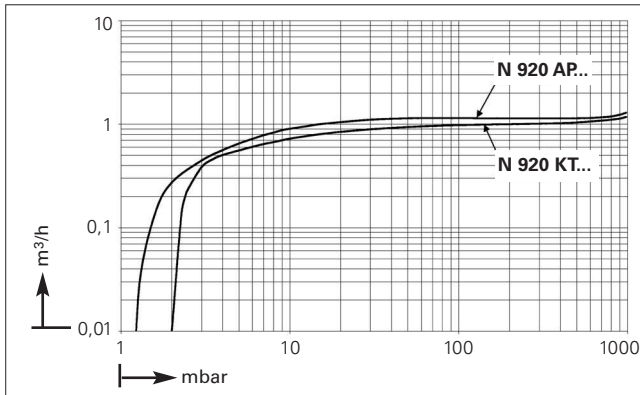


Dimensions and performance characteristics

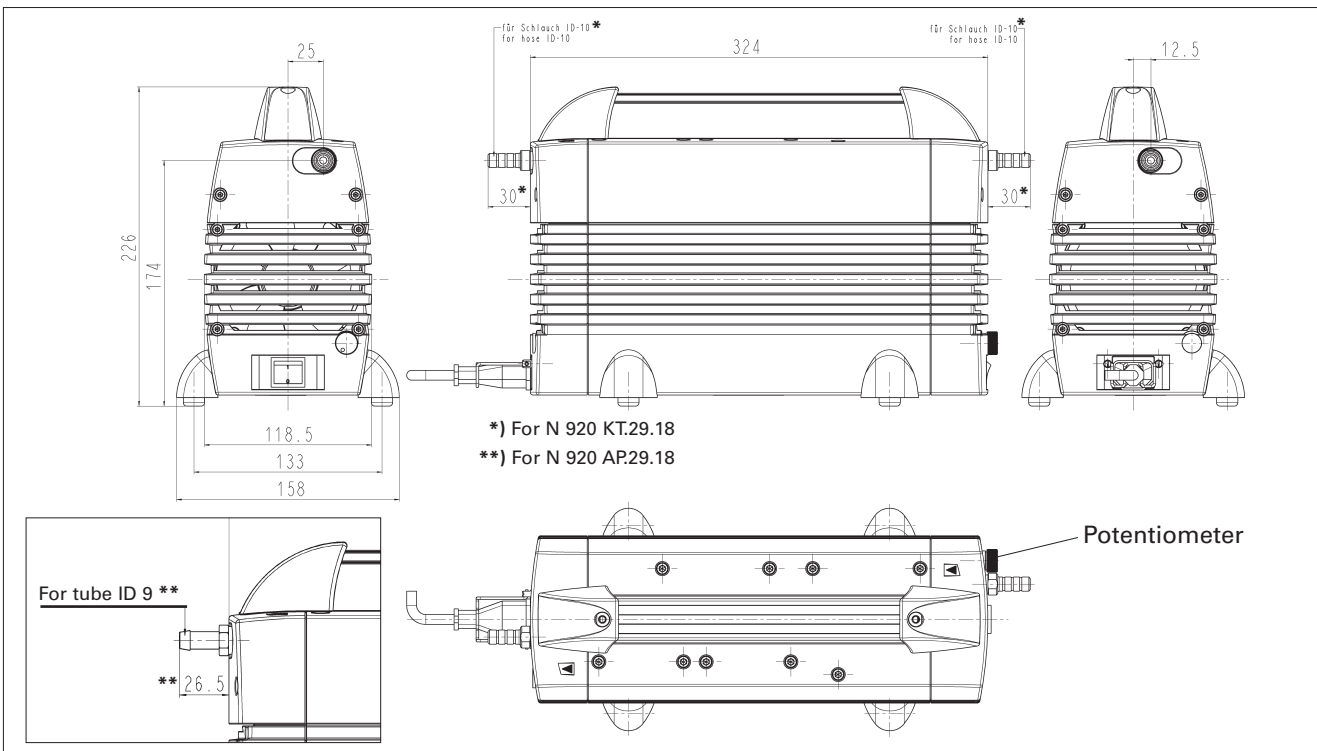
Pump down time for 10 l receiver (at max. motor speed) Performance characteristics (at max. motor speed)



Suction pumping speed (at max. motor speed)



Dimensions (mm)



KNF offers a wide range of high-quality pumps and systems for moving both liquids and gases. Whether they are used as built-in OEM pumps, in process applications or in laboratories, KNF products offer high performance, precision, and reliability. We offer all of our customers expert and personal advice. Contact us today to discuss how we can assist you with your next project!

The KNF production sites worldwide:



KNF Neuberger GmbH, Germany



KNF Micro AG, Switzerland



KNF Flodos AG, Switzerland



KNF Neuberger SAS, France



KNF Neuberger, Inc., USA

KNF. GLOBALLY ACTIVE.

Germany

KNF Neuberger GmbH
D-79112 Freiburg
Tel. +49 7664 5909 0
info@knf.de
www.knf.de

Benelux Netherlands

KNF Verder B.V.
NL-3451 GG Vleuten
Tel. +31 30 677 92 40
info@knf-verder.nl
www.knf-verder.nl

Benelux Belgium and Luxemburg

KNF Verder N.V.
B-2630 Aartselaar
Tel. +32 3 871 96 24
info@knf.be
www.knf.be

China

KNF Technology (Shanghai) Co., Ltd.
Shanghai 201203
Tel. +86 21 5109 9695
info@knf.com.cn
www.knf.com.cn

France, Morocco, Tunisia, Algeria

KNF Neuberger SAS
F-68128 Village-Neuf
Tel. +33 389 70 35 00
info@knf.fr
www.knf.fr

UK

KNF Neuberger U.K., Ltd.
Witney, Oxfordshire OX28 4FA
Tel. +44 1993 77 83 73
info@knf.co.uk
www.knf.co.uk

India

KNF Pumps + Systems (India) Pvt. Ltd.
Hinjewadi, Pune 411 057
Tel. +91 20 640 13 923
+91 20 640 08 923
info@knfpumps.in
www.knfpumps.in

Italy

KNF ITALIA S.r.l.
I-20132 Milano
Tel. +39 02 272 03 860
info@knf.it
www.knf.it

Japan

KNF Japan Co.Ltd.
Tokyo 104-0033
Tel. +81 3 3551 7931
info@knf.co.jp
www.knf.co.jp

Korea

KNF Neuberger Ltd.
130-090, Seoul
Tel. +82 2 959 0255
knf@knfkorea.com
www.knfkorea.com

Sweden, Finland, Denmark, Norway

KNF Neuberger AB
SE-117 43 Stockholm
Tel. +46 8 744 51 13
info@knf.se
www.knf.se

Switzerland

Sales
KNF Neuberger AG
CH-8362 Balterswil
Tel. +41 71 973 99 30
knf@knf.ch
www.knf.ch

Switzerland

Production Liquid Pumps
KNF FLODOS AG
CH-6210 Sursee
Tel. +41 41 925 00 25
info@knf-flodos.ch
www.knf-flodos.ch

Switzerland

Production Micro Pumps
KNF Micro AG
CH-6260 Reiden
Tel. +41 62 787 88 88
info@knf-micro.ch
www.knf-micro.ch

Taiwan

KNF Neuberger Ltd.
Taipei City, 11490
Tel. +886 2 2794 1011
info@knftwn.com.tw
www.knf.com.tw

USA, Canada, Latin America

KNF Neuberger, Inc.
Trenton, New Jersey 08691-1810
Tel. +1 609 890 8600
knfusa@knf.com
www.knfusa.com

Latin America

Tel. +1 609 649 1010
gb@knf.com
www.knf.com/es